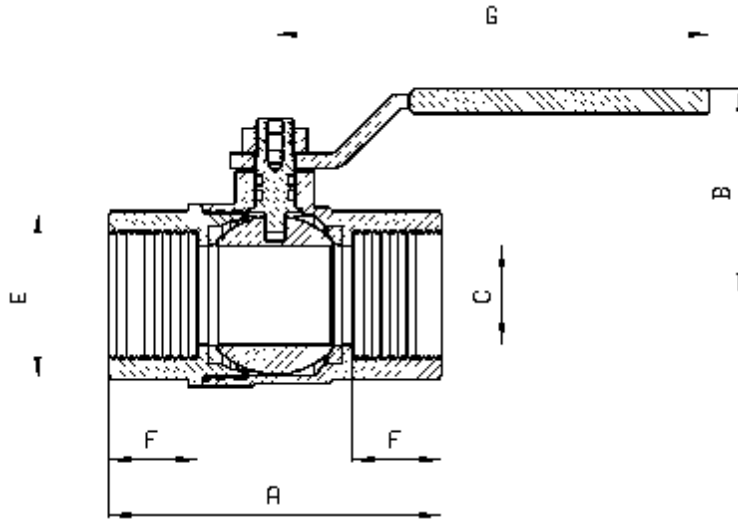


PRODUCT SPECIFICATIONS

FULL BORE BALL VALVES

MODEL 740



Dimension Size (in)	A		B		C		E		F		G	
	mm	in	mm	in	mm	in	mm	in	mm	in	mm	in
1/4	46.0	1.81	36.0	1.42	10.0	0.39	22.0	0.87	12.0	0.47	85.0	3.35
3/8	46.0	1.81	36.0	1.42	12.0	0.47	22.0	0.87	12.0	0.47	85.0	3.35
1/2	59.0	2.32	38.5	1.52	15.0	0.59	26.0	1.02	17.5	0.69	85.0	3.35
3/4	67.0	2.64	42.5	1.67	20.0	0.79	32.0	1.26	18.0	0.71	85.0	3.35
1	77.5	3.05	49.0	1.93	25.0	0.98	40.5	1.59	20.5	0.81	105.0	4.13
1 1/4	92.0	3.62	54.5	2.15	32.0	1.26	49.5	1.95	23.5	0.93	105.0	4.13
1 1/2	101.5	4.00	65.5	2.58	40.0	1.57	55.0	2.17	23.5	0.93	130.0	5.12
2	122.5	4.82	73.5	2.89	50.0	1.97	69.1	2.72	27.5	1.08	130.0	5.12
2 1/2	141.5	5.57	112.0	4.41	62.0	2.44	81.0	3.19	29.0	1.14	240.0	9.45
3	162.0	6.38	120.0	4.72	75.0	2.95	95.0	3.74	31.0	1.22	240.0	9.45
4	197.0	7.76	140.0	5.51	100.0	3.94	122.0	4.80	33.0	1.30	240.0	9.45

Features:

- Double Viton stem seals, Teflon Seats, Teflon thrust washer.
- Low torque operation. Reversible handle.
- Thicker, heavier, more substantial body.
- Wider wrench flats. Threads to ANSI B1.20.1.
- Forged brass for extra strength.
- ½ to 2 inch UL listed 258 Trim & Drain Valves
- 2 ½ to 4 inch UL listed gas shut-off, manual valves 20G.
- ¼ to 2 inch CSA (USA and Canada) gas service 5psig to 3-88 and CR91-002.
- ½ to 2 inch CGA 3.16 Lever Operated Non-Lubricated Gas Shut-Off Valves
- ¼ to 2 inch rating 600 CWP (cold working pressure), 150 psig saturated steam.
- 2 ½ to 4 inch rating 400 CWP (cold working pressure), 150 psig saturated steam.
- ISO 9001 manufacturing - American National Standard ANSI/ASQC Quality Systems.
- Meets many international standards including those of Germany, Switzerland, Australia, Denmark, Czech Republic, and Poland.

COMBU INC.

P.O. BOX 974, PARSONS, KS 67357
Phone 620-421-0480 Fax 620-421-0948