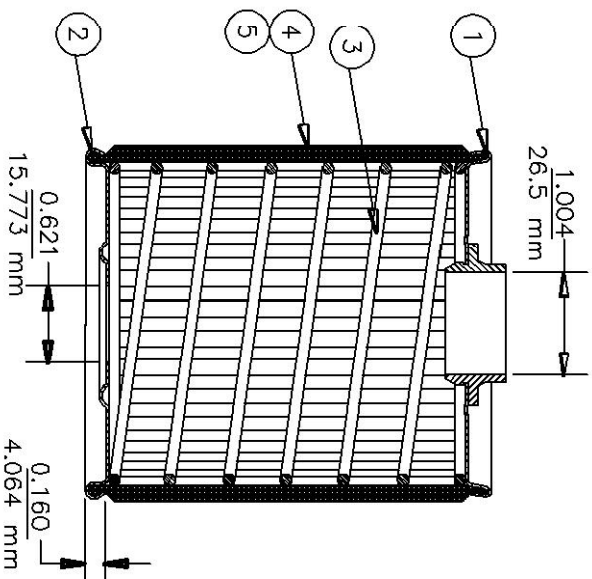
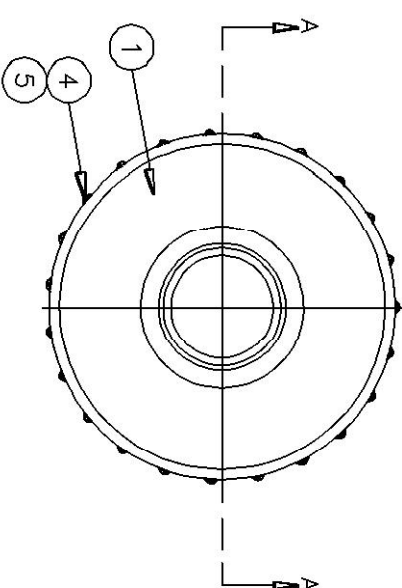
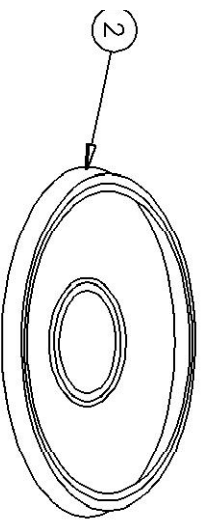
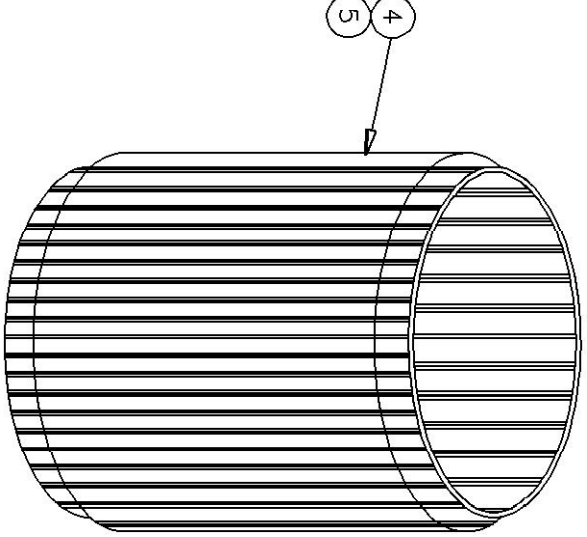
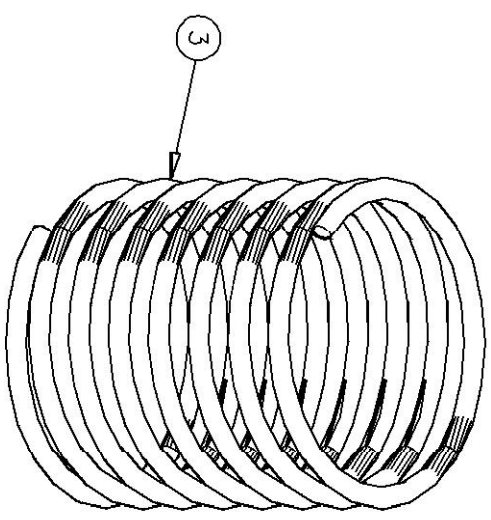
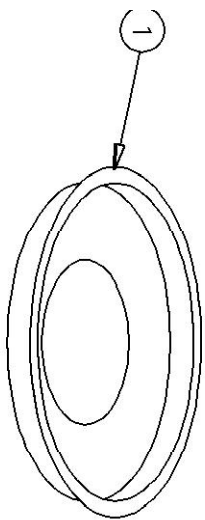
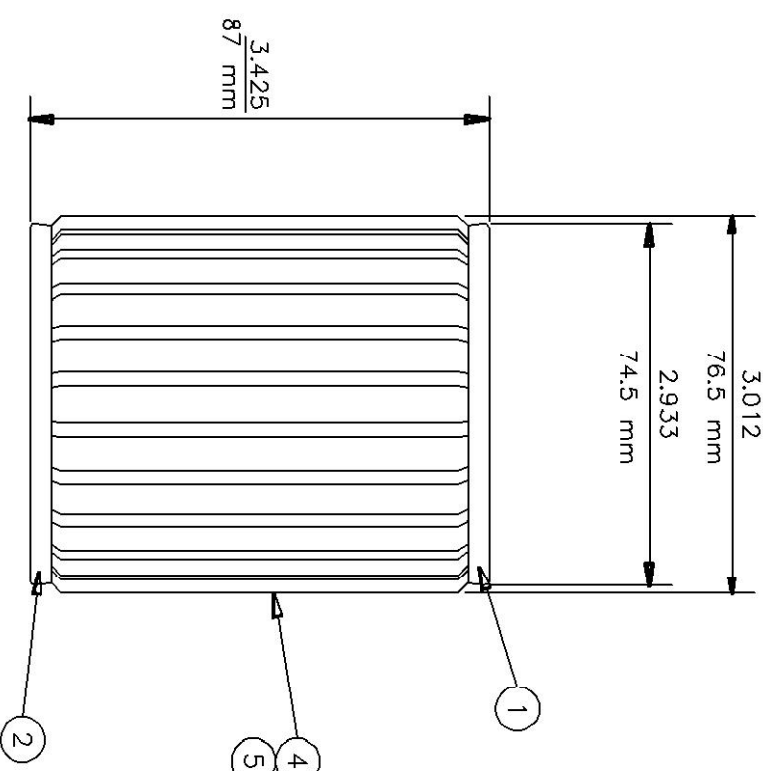


ITEM	QTY.	DESCRIPTION	MAT'L
1	1	OIL FILTER TOP PLT.	GALVANIZED STEEL
2	1	OIL FILTER BOTTOM P.T.	GALVANIZED STEEL
3	1	SUPPORT SPRING	.091 DIA. CU. COATED SPRING STL.
4	1	100 MICRON SCREEN	100 MICRON ANSI 304 STAINLESS
5	1	300 MICRON SCREEN	300 MICRON GAL. STEEL



SECTION A-A

AREA OF SCREEN 59.52 SQ. INCHES
384 SQ. CM.



P/N 41090 300 MICRON FILTER ELEMENT
P/N 41100 100 MICRON FILTER ELEMENT

INCHES
MILLIMETERS

2 REV'D DIM. TO 87/ WAS 93.776	JS/SML/S/19/07	DRWN: PAR	CHKD	APP'D	SCALE: M.T.S.
1 REV'D AREA TO 59.52/ WAS 43 7/8	PAR 6/18/86	JOB NAME:	COMBU	2001 SOUTH 21st STREET PARSONS, KANSAS 67357	PHONE (920) 421-0480 FAX (920) 421-0948
REVISION	REV'D. DATE	TITLE:	COMBU, INC.	300 MICRON FILTER ELEMENT	PLATE NO. OF PLATES
				FOR 70101 OIL FILTER	COMBU-122M-2